

Indoor/Outdoor Pendant Wall Mount

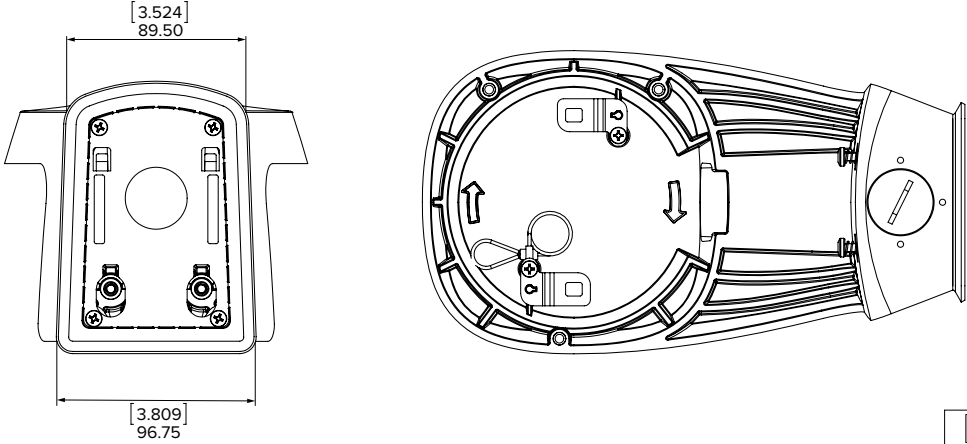
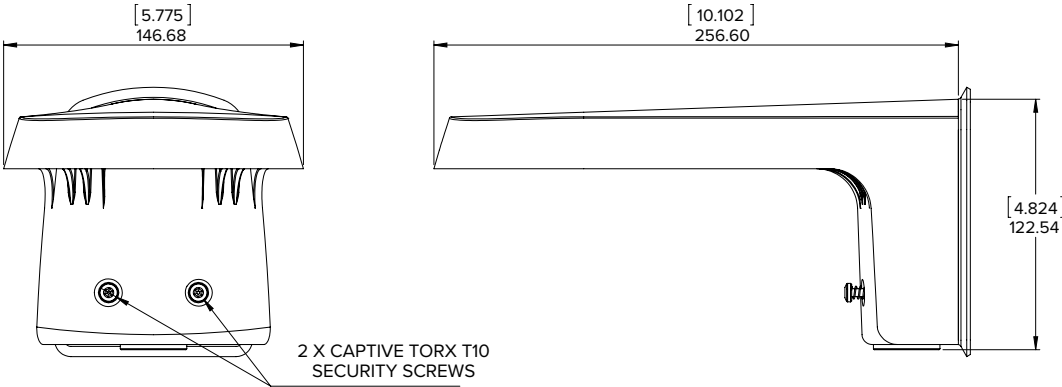


H4A-MT-WALL1

Pendant wall mount for pendant dome cameras (H4A-DP and H4A-DP-IR)

Weight: 1.45 kg (3.20 lbs) Finish: RAL 9003

- Female 3/4" NPT conduit entry
- Creates outdoor seal with pendant dome cameras that meets IP66 standards



[X.X]	INCHES
X	MM